

ALL FILTRATION PRODUCT PROUDLY MADE & ASSEMBLED IN THE USA



**EWS, INC.**

**ENVIRONMENTAL WATER SYSTEMS**

**EWS, Inc. and Environmental Water Systems supports all older models and systems**

## **Drinking Water Filtration Product Booklet for Pre-2012 Two and Three Stage Systems**

**Model #'s**

**FUGAC200, FUGAC250, FUGAC300, FUGAC350**

**Model #'s with UV Disinfection**

**UU250, UU250-4PIN, UU350, UU350-4PIN**

**ewswater.com**

**O:** 702.256.8182 (M-F 8:30am-4:30pm PST)

**F:** 702.256.3744

**E:** customerservice@ewswater.com

Complete Product Booklets and Service Guides for each system are available online and through customer service.

Information includes all schematics, technical information, removal capabilities, how to setup, install & startup each system as well as any troubleshooting and any other information we could think of in order to help you.

**Highest Quality Product & Award Winning Customer Service Since 1987**

## Two Stage Drinking Water Systems Undercounter Filtration and UV Units

### Model No: FUGAC200      **GOOD**

Improves taste, clarity and odor by removing chlorine and other volatile organic compounds. The 5-micron pre-sediment filter serves to remove suspended matter, dirt, rust and sediment and improves performance of other filters.

Meets or complies with NSF Standard 42.

Filter Set Replacement:      SET.FUGAC200



### Model No: FUGAC250      **BETTER**

Improves taste, clarity and odor by removing chlorine and other volatile organic compounds. The upgraded filter also safeguards against lead and cysts (giardia and cryptosporidium). The 5-micron pre-sediment filter serves to remove suspended matter, dirt, rust and sediment and improves performance of other filters.

Meets or complies with NSF Standard 53.

Filter Set Replacement:      SET.FUGAC250



### Model No: UU250      **BEST**

This unit improves, removes and safeguards like above model FUGAC250. The additional UV module protects against bacterial, viral, E-coli and other microorganisms and is tested 99.9% effective. The 5-micron pre-sediment filter serves to remove suspended matter, dirt, rust and sediment and improves performance of other filters.

Meets or complies with NSF Standards 53 and 55.

Filter Set Replacement:      SET.UU250-2.PIN (white lamp cord)  
   SET.UU250-4.PIN (red striped lamp cord)



All completely assembled undercounter units include the following standard features:

White 10" housing with full bed depth filtration cartridges, spanner wrench to open housings for easy filter replacement, chrome, lead-free faucet with white trim for dispensing water (other faucet options available), self-piercing saddle valve for water line connection with shut-off valve (see service guide for your correct application), all necessary tubing (color coded) to make proper connections, simple to use mounting bracket, UV lamp and setup (UV unit only) and complete service guide with installation and use instructions.

**ALL FILTRATION PRODUCT PROUDLY MADE & ASSEMBLED IN THE USA**



## Three Stage Drinking Water Systems For Heavier Sediment and/or Particulate Applications

### Model No: FUGAC300

Improves taste, clarity and odor by removing chlorine and other volatile organic compounds. The 5-micron pre-sediment filter serves to remove suspended matter, dirt, rust and sediment and improves performance of other filters. The 20-micron pre-filter is added for heavier sediment and/or particulate water applications.

Meets or complies with NSF Standard 42.

Filter Set Replacement: SET.FUGAC300



### Model No: FUGAC350

Improves taste, clarity and odor by removing chlorine and other volatile organic compounds. The upgraded filter also safeguards against lead and cysts (giardia and cryptosporidium). The 5-micron pre-sediment filter serves to remove suspended matter, dirt, rust and sediment and improves performance of other filters. The 20-micron pre-filter is added for heavier sediment and/or particulate water applications.

Meets or complies with NSF Standard 53.

Filter Set Replacement: SET.FUGAC350



### Model No: UU350

This unit improves, removes and safeguards like above model FUGAC350. The additional UV module protects against bacterial, viral, E-coli and other microorganisms and is tested 99.9% effective. The 5-micron pre-sediment filter serves to remove suspended matter, dirt, rust and sediment and improves performance of other filters. The 20-micron pre-filter is added for heavier sediment and/or particulate water applications.

Meets or complies with NSF Standards 53 and 55.

Filter Set Replacement: SET.UU350-2.PIN (white lamp cord)

SET.UU350-4.PIN (red striped lamp cord)



All completely assembled undercounter units include the following standard features:

White 10" housing with full bed depth filtration cartridges, spanner wrench to open housings for easy filter replacement, chrome, lead-free faucet with white trim for dispensing water (other faucet options available), self-piercing saddle valve for water line connection with shut-off valve (see service guide for your correct application), all necessary tubing (color coded) to make proper connections, simple to use mounting bracket, UV lamp and setup (UV unit only) and complete service guide with installation and use instructions.

**ALL FILTRATION PRODUCT PROUDLY MADE & ASSEMBLED IN THE USA**



**Two Stage Undercounter Drinking Water Filtration Unit****Model: FUGAC200**

Improves taste, clarity and odor by removing chlorine and other volatile organic compounds. The 5-micron pre-sediment filter serves to remove suspended matter, dirt, rust and sediment and improves performance of other filters. Meets or complies with NSF Standard 42.

- \* Faucet with Chrome, Lead-Free Dispenser (other faucet options available)
- \* Powder Coated, Corrosive Resistant Bracket Mounts Easily
- \* Quick Connect Fittings for Easy Installation
- \* 10" Heavy Duty Housings Contain our Full Sized, Full Bed Depth Cartridges for Optimum Performance and Longer Life
- \* Replacing Filters is Easy; Use the Included Spanner Wrench to Spin Housing Off, Replace Filter, Spin Housing Back On.

**Benefits:**

- \* Improves Taste, Clarity and Odors
- \* Removes Chlorine and VOC's
- \* Reduces Dirt, Silt, Sediment and Rust
- \* Replaces Costly Bottled Water
- \* Better Tasting, Quality, Filtered Water for Coffee, Tea, Juices and Ice

**Applications:**

- \* Installs Easily at Any Sink, Wet Bar or Any Point of Use Location
- \* Can be Cross-Connected (if applicable) to Refrigerators, Ice Makers and Other Devices
- \* For All Your Drinking and Cooking Needs
- \* Safe for Pets and Plants

**Upgrade Options:**

- \* For lead and cyst removal (FUGAC250)
- \* For bacterial, viral, e-coli and/or microorganism safeguard (UU250)
- \* Reverse osmosis, if applicable based on water issues
- \* CWL/EWS Series for Whole Home Filtration

**All completely assembled undercounter units include the following standard features:**

White 10" housing with full bed depth filtration cartridges, spanner wrench to open housings for easy filter replacement, chrome, lead-free faucet with white trim for dispensing water (other faucet options available), self-piercing saddle valve for water line connection with shut-off valve (see service guide for your correct application), all necessary tubing (color coded) to make proper connections, simple to use mounting bracket, UV lamp and setup (UV unit only) and complete service guide with installation and use instructions.

**ALL FILTRATION PRODUCT PROUDLY MADE & ASSEMBLED IN THE USA**



## Technical Information: FUGAC200

### REPLACEMENT FILTERS

<u>Part No.</u>	<u>Description</u>	<u>Replacement Time*</u>
PRESED-05	5 Micron Sediment Cartridge	Up to a Year
GAC-00	10" GAC Cartridge	Up to a Year

### FILTER SPECIFICATIONS:

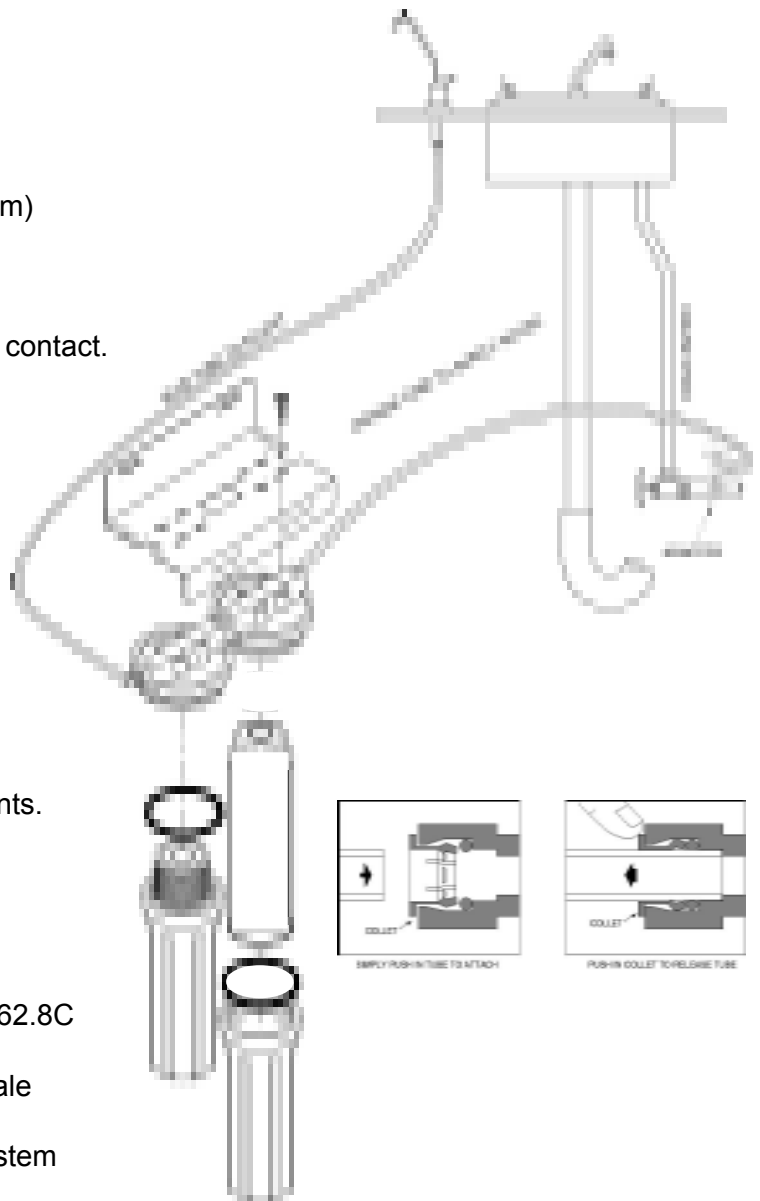
#### **Pre-Filter: PRESED-05**

Construction: 100 % Pure Polypropylene Fibers  
 Temperature Range: 40-145° F (4.4 -62.8°C)  
 Maximum Flow Rate: 5 gpm (19 lpm)  
 Dimensions: 2 - 3/8 in. x4-7/8 in. (61mm x 124 mm)  
 Micron Rating: 5 µm Nominal  
 Initial Pressure Change: 2.00 psid @1.0 GPM  
 Fits all Standard 10 in. Housings  
 Meets FDA Requirements for food and beverage contact.

#### **Filter: GAC-00**

Vibration Packed Granular Activated Carbon  
 Carbon Wt.: 0.75 lbs. Iodine Rating No. 1100  
 Temperature Range: 40° to 125°F (4.4° to 52° C)  
 Maximum Flow Rate: 1.0 gpm (3.875 lpm)  
 Dimensions: 2- 7/8 in. x 9 3/4 in. (73 X 248 mm)  
 Micron Rating: 5 µm Nominal  
 Initial Pressure Change: 2.00 psid @1.0 GPM  
 Chlorine Reduction: 2,500 Gal. @ 1.0 GPM  
 Fits all Standard 10 in. Housings  
 Cartridge is Tested and Certified by International  
 ANSI/NSF Standard 42 - Conforms to requirements.

Tubing Size: 1/4 in. O.D  
 System Weight: 14 lbs. /7 Kgs.  
 System Size: 14 in. W x 6 in. L x 12 in. H  
 / 36 cm x 15 cm x 21 cm  
 Min/Max Water Temperature: 40° / 80 °F - 4.4 / 62.8C  
 Max Water Pressure: 75 PSI / 5.86 Bar  
 Housing Inlet / Outlet Size: 1/4 in. O.D. tube female  
 Quick Connect x 1/4 in. MNPT  
 Flow Rate : <1.0 GPM / 3.78 LPM - Designed system  
 flow rate to insure proper filtration tolerances.



### SHIPPING INFORMATION

Carton Size.:14 in. W x 6 in. L x 16 in. H

For other performance requirements or applications, other models are available.

\*Based on local water conditions and usage.

**ALL FILTRATION PRODUCT PROUDLY MADE & ASSEMBLED IN THE USA**



**Two Stage Upgraded Undercounter Drinking Water Filtration Unit****Model: FUGAC250**

Improves taste, clarity and odor by removing chlorine and other volatile organic compounds. The upgraded filter also safeguards against lead and cysts (giardia and cryptosporidium). The 5-micron pre-sediment filter serves to remove suspended matter, dirt, rust and sediment and improves performance of other filters. Meets or complies with NSF Standard 53.

- \* Faucet with Chrome, Lead-Free Dispenser (other faucet options available)
- \* Powder Coated, Corrosive Resistant Bracket Mounts Easily
- \* Quick Connect Fittings for Easy Installation
- \* 10" Heavy Duty Housings Contain our Full Sized, Full Bed Depth Cartridges for Optimum Performance and Longer Life
- \* Replacing Filters is Easy; Use the Included Spanner Wrench to Spin Housing Off, Replace Filter, Spin Housing Back On.

**Benefits:**

- \* Safeguards Against Lead and Cysts (Cryptosporidium and Giardia)
- \* Improves Taste, Clarity and Odors
- \* Removes Chlorine and VOC's
- \* Reduces Dirt, Silt, Sediment and Rust
- \* Replaces Costly Bottled Water
- \* Better Tasting, Quality, Filtered Water for Coffee, Tea, Juices and Ice

**Applications:**

- \* Installs Easily at Any Sink, Wet Bar or Any Point of Use Location
- \* Can be Cross-Connected (if applicable) to Refrigerators, Ice Makers and Other Devices
- \* For All Your Drinking and Cooking Needs
- \* Safe for Pets and Plants

**Upgrade Options:**

- \* For bacterial, viral, e-coli and/or microorganism safeguard (UU250)
- \* Reverse osmosis (with or without UV options) , if applicable based on water issues
- \* CWL/EWS Series for Whole Home Filtration

**All completely assembled undercounter units include the following standard features:**

White 10" housing with full bed depth filtration cartridges, spanner wrench to open housings for easy filter replacement, chrome, lead-free faucet with white trim for dispensing water (other faucet options available), self-piercing saddle valve for water line connection with shut-off valve (see service guide for your correct application), all necessary tubing (color coded) to make proper connections, simple to use mounting bracket, UV lamp and setup (UV unit only) and complete service guide with installation and use instructions.

**ALL FILTRATION PRODUCT PROUDLY MADE & ASSEMBLED IN THE USA**



## Technical Information: FUGAC250 REPLACEMENT FILTERS

<u>Part No.</u>	<u>Description</u>	<u>Replacement Time*</u>
PRESED-05	5 Micron Sediment Cartridge	Up to a Year
GACB-50	Lead and Cyst Removal Cartridge	Up to a Year

### FILTER SPECIFICATIONS:

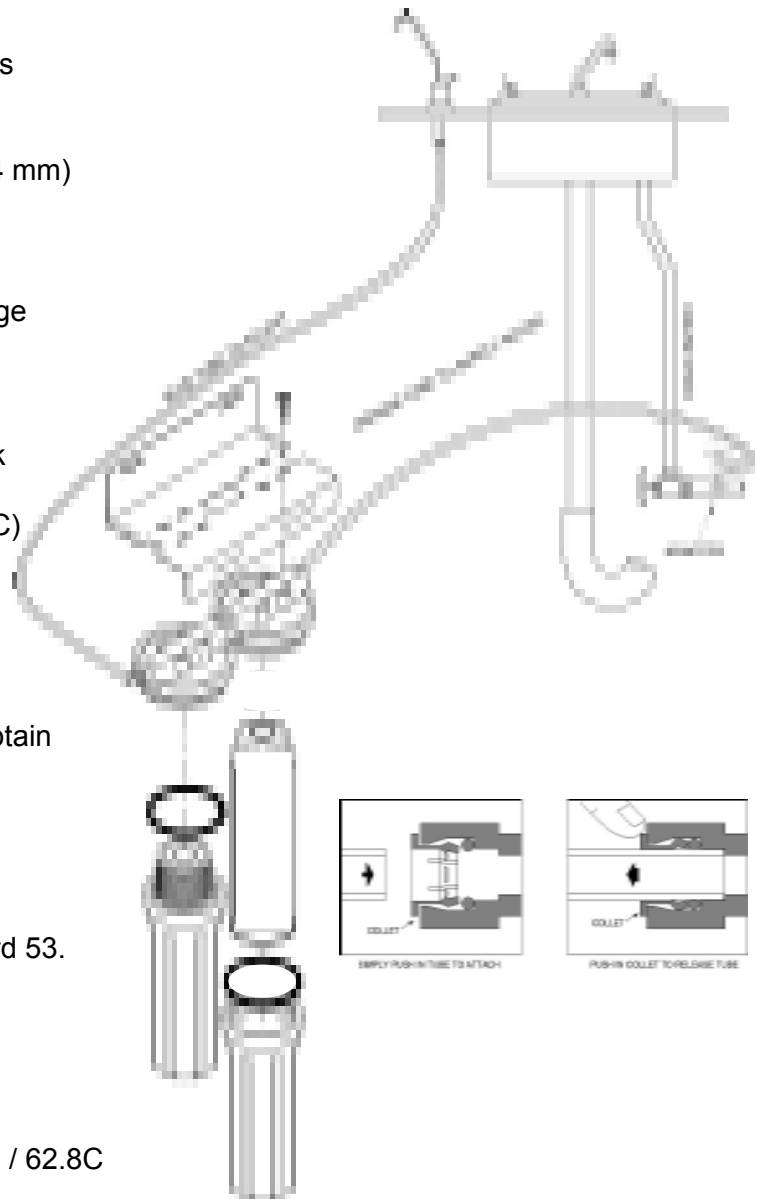
#### **Pre-Filter: PRESED-05**

Construction: 100 % Pure Polypropylene Fibers  
 Temperature Range: 40-145° F (4.4 -62.8°C)  
 Maximum Flow Rate: 5 gpm (19 lpm)  
 Dimensions: 2 - 3/8 in. x 4-7/8 in. (61mm x 124 mm)  
 Micron Rating: 5 µm Nominal  
 Initial Pressure Change: 2.00 psid @1.0 GPM  
 Fits all Standard 10 in. Housings  
 Meets FDA Requirements for food and beverage contact.

#### **Filter: GACB-50**

Construction: Extruded Activated Carbon Block  
 Carbon Wt.: 0.85 lbs. Iodine Rating No. 1100  
 Temperature Range: 40° to 125°F (4.4° to 52°C)  
 Maximum Flow Rate: 1.0 gpm (3.875 lpm)  
 Dimensions: 2.50 x 9 3/4 in. (62 X 248 mm)  
 Micron Rating: 1 - 2 µm  
 Initial Pressure Change: 4.0 psid @0.75 GPM  
 Chlorine Reduction: 6,000 Gal. @ 0.75 GPM  
 Lead Reduction: 2,500 Gal. @ 0.75 GPM to obtain minimum 90% removal of influent (150 ppb) in accordance with NSF International Protocol.  
 Cyst Reduction: 99.984% reduction of 3 - 4µm  
 Fits all Standard 10 in. Housings  
 Manufactured using FDA-approved materials  
 Cartridge meets or complies with NSF Standard 53.

Tubing Size: 1/4 in. O.D  
 System Weight: 14 lbs. /7 Kgs.  
 System Size: 14 in. W x 6 in. L x 12 in. H  
 / 36 cm x 15 cm x 21 cm  
 Min/Max Water Temperature: 40° / 80 °F - 4.4 / 62.8C  
 Max Water Pressure: 75 PSI / 5.86 Bar  
 Housing Inlet / Outlet Size: 1/4 in. O.D. tube female  
 Quick Connect x 1/4 in. MNPT  
 Flow Rate : <1.0 GPM / 3.78 LPM -Designed system flow rate to insure proper filtration tolerances.



For other performance requirements or applications, other models are available.  
 \*Based on local water conditions and usage.

**ALL FILTRATION PRODUCT PROUDLY MADE & ASSEMBLED IN THE USA**



## Two Stage Upgraded Undercounter Drinking Water Filtration Unit with UV Bacteria-Kill

### Model: UU250

This two stage unit (UU250) has the filtration capabilities of the FUGAC250 but adds the UV upgrade for greater performance. The 5-micron pre-sediment filter serves to remove suspended matter, dirt, rust and sediment to improve performance of other filters. The upgraded GACB-50 filter cartridge removes chlorine and other volatile organics, to improve taste, clarity and odors and additionally reduces lead and cysts (cryptosporidium and giardia). In addition, water flows through the UV module for effective bacterial, viral, E-Coli and microorganism safeguard and kill (as tested 99.99% effective). Meets or complies with NSF Standards 53 and 55.

- \* Faucet with Chrome, Lead-Free Dispenser (other faucet options available)
- \* Powder Coated, Corrosive Resistant Bracket Mounts Easily
- \* Quick Connect Fittings for Easy Installation
- \* 10" Heavy Duty Housings Contain our Full Sized, Full Bed Depth Cartridges for Optimum Performance and Longer Life
- \* Replacing Filters is Easy; Use the Included Spanner Wrench to Spin Housing Off, Replace Filter, Spin Housing Back On.



#### Benefits:

- \* Safeguards and Kills Bacteria, Viral, E-Coli and other Microorganisms
- \* Safeguards Against Lead and Cysts (Cryptosporidium and Giardia)
- \* Improves Taste, Clarity and Odors
- \* Removes Chlorine and VOC's
- \* Reduces Dirt, Silt, Sediment and Rust
- \* Replaces Costly Bottled Water
- \* Better Tasting, Quality, Filtered Water for Coffee, Tea, Juices and Ice

#### Applications:

- \* Installs Easily at Any Sink, Wet Bar or Any Point of Use Location
- \* Can be Cross-Connected (if applicable) to Refrigerators, Ice Makers and Other Devices
- \* For All Your Drinking and Cooking Needs
- \* Safe for Pets and Plants

#### Upgrade Options:

- \* Reverse osmosis with UV option, if applicable based on water issues
- \* CWL/EWS Series for Whole Home Filtration

#### All completely assembled undercounter units include the following standard features:

White 10" housing with full bed depth filtration cartridges, spanner wrench to open housings for easy filter replacement, chrome, lead-free faucet with white trim for dispensing water (other faucet options available), self-piercing saddle valve for water line connection with shut-off valve (see service guide for your correct application), all necessary tubing (color coded) to make proper connections, simple to use mounting bracket, UV lamp and setup (UV unit only) and complete service guide with installation and use instructions.

**ALL FILTRATION PRODUCT PROUDLY MADE & ASSEMBLED IN THE USA**





## Technical Information: UU250 REPLACEMENT FILTERS

<u>Part No.</u>	<u>Description</u>	<u>Replacement Time*</u>
PRESED-05	5 Micron Sediment Cartridge	Up to a Year
GACB-50	Lead and Cyst Removal Cartridge	Up to a Year
UV-LAMP (white lamp cord)	6 watt UV Replacement Lamp	Annually
UV-LAMP-4.PIN (red striped lamp cord)		

### FILTER SPECIFICATIONS:

#### **Pre-Filter: PRESED-05**

Construction: 100 % Pure Polypropylene Fibers  
 Temperature Range: 40-145° F (4.4 -62.8°C)  
 Maximum Flow Rate: 5 gpm (19 lpm)  
 Dimensions: 2 - 3/8 in. x4-7/8 in. (61mm x 124 mm)  
 Micron Rating: 5 µm Nominal  
 Initial Pressure Change: 2.00 psid @1.0 GPM  
 Fits all Standard 10 in. Housings  
 Meets FDA Requirements for food and beverage contact.

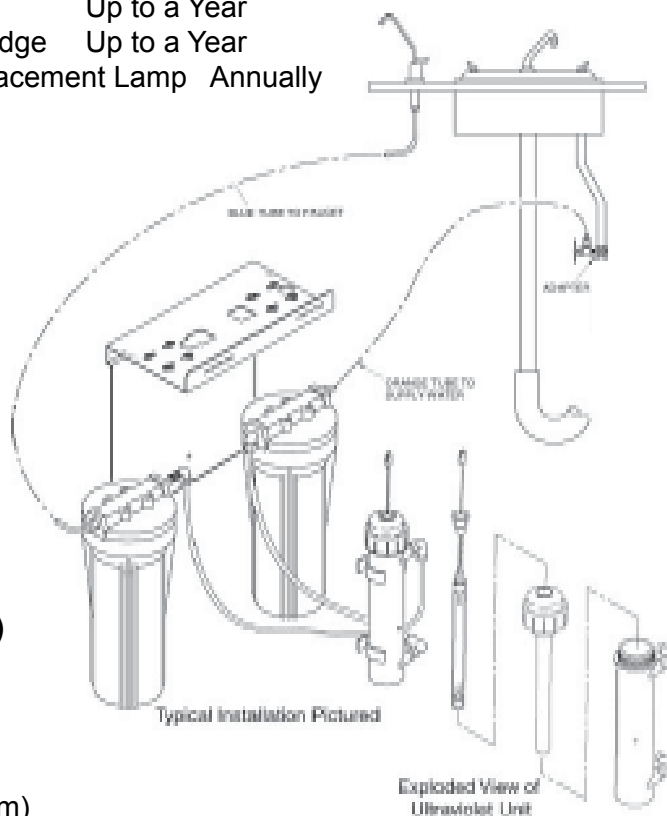
#### **Ultraviolet Lamp: UV-LAMP (white lamp cord) or UV-Lamp-4.PIN (red striped lamp cord)**

Construction: 316 Bonded Stainless Steel Interior  
 Temperature Range: 40-105° F (4.4 - 40°C)  
 Maximum Flow Rate: 1.0 gpm (3.875 lpm)  
 Dimensions: 2 in. O.D. x 11.50 in. L (51 mm x 292 mm)  
 U.V Rating Output: 30,000 micro-watts at maximum flow  
 Watts: 6 Ports: 1/4 in.

UV Module meets or complies with NSF Standard 55  
 All materials meet FDA or NSF requirements. The UV unit was effective in killing (> 99%) E-coli and significantly reducing the level of micrococcus luteus.

#### **Filter: GACB-50**

Construction: Extruded Activated Carbon Block  
 Carbon Wt.: 0.85 lbs. Iodine Rating No. 1100  
 Temperature Range: 40° to 125°F (4.4° to 52°C)  
 Maximum Flow Rate: 1.0 gpm (3.875 lpm)  
 Dimensions: 2.50 x 9 3/4 in. (62 X 248 mm)  
 Micron Rating: 1 - 2 µm  
 Initial Pressure Change: 4.0 psid @0.75 GPM  
 Chlorine Reduction: 6,000 Gal. @ 0.75 GPM  
 Lead Reduction: 2,500 Gal. @ 0.75 GPM to obtain minimum 90% removal of influent (or 150 ppb) in accordance with NSF International Protocol.  
 Cyst Reduction: 99.984% reduction of 3 - 4µm  
 Fits all Standard 10 in. Housings  
 Manufactured using FDA-approved materials  
 Cartridge meets or complies with NSF Standard 53.



Tubing Size: 1/4 in. O.D  
 System Weight: 15 lbs. /7 Kgs.  
 System Size: 14 in. W x 6 in. L x 12 in. H / 36 cm x 15 cm x 21 cm  
 Min/Max Water Temperature: 40° / 80 °F - 4.4 / 62.8C  
 Max Water Pressure: 75 PSI / 5.86 Bar  
 Housing Inlet / Outlet Size: 1/4 in. O.D. tube female  
 Quick Connect x 1/4 in. MNPT  
 Flow Rate : <1.0 GPM / 3.78 LPM- Designed system flow rate to insure proper filtration tolerances.

#### SHIPPING INFORMATION

Carton Size.:14 in. W x 6 in. L x 16 in. H

For other performance requirements or applications, other models are available.

\*Based on local water conditions and usage.

**ALL FILTRATION PRODUCT PROUDLY MADE & ASSEMBLED IN THE USA**



## Three Stage Undercounter Drinking Water Filtration Unit

### Model: FUGAC300

Improves taste, clarity and odor by removing chlorine and other volatile organic compounds. The 5-micron pre-sediment filter serves to remove suspended matter, dirt, rust and sediment and improves performance of other filters. The 20-micron pre-filter is added for heavier sediment and/or particulate water applications. Meets or complies with NSF Standard 42.

- \* Faucet with Chrome, Lead-Free Dispenser (other faucet options available)
- \* Powder Coated, Corrosive Resistant Bracket Mounts Easily
- \* Quick Connect Fittings for Easy Installation
- \* 10" Heavy Duty Housings Contain our Full Sized, Full Bed Depth Cartridges for Optimum Performance and Longer Life
- \* Replacing Filters is Easy; Use the Included Spanner Wrench to Spin Housing Off, Replace Filter, Spin Housing Back On.



#### Benefits:

- \* Improves Taste, Clarity and Odors
- \* Removes Chlorine and VOC's
- \* Reduces Dirt, Silt, Sediment and Rust
- \* Replaces Costly Bottled Water
- \* Better Tasting, Quality, Filtered Water for Coffee, Tea, Juices and Ice

#### Applications:

- \* Installs Easily at Any Sink, Wet Bar or Any Point of Use Location
- \* Can be Cross-Connected (if applicable) to Refrigerators, Ice Makers and Other Devices
- \* For All Your Drinking and Cooking Needs
- \* Safe for Pets and Plants

#### Upgrade Options:

- \* For lead and cyst removal (FUGAC350)
- \* For bacterial, viral, e-coli and/or microorganism safeguard (UU350)
- \* Reverse osmosis (5-stage units), if applicable based on water issues
- \* CWL/EWS Series for Whole Home Filtration with POE Pre-Sediment Unit

#### All completely assembled undercounter units include the following standard features:

White 10" housing with full bed depth filtration cartridges, spanner wrench to open housings for easy filter replacement, chrome, lead-free faucet with white trim for dispensing water (other faucet options available), self-piercing saddle valve for water line connection with shut-off valve (see service guide for your correct application), all necessary tubing (color coded) to make proper connections, simple to use mounting bracket, UV lamp and setup (UV unit only) and complete service guide with installation and use instructions.

**ALL FILTRATION PRODUCT PROUDLY MADE & ASSEMBLED IN THE USA**



## Technical Information: FUGAC300 REPLACEMENT FILTERS

<u>Part No.</u>	<u>Description</u>	<u>Replacement Time*</u>
PRESED-20	20 Micron Pleated Filter	Up to a Year
PRESED-05	5 Micron Sediment Cartridge	Up to a Year
GAC-00	10" GAC Cartridge	Up to a Year

### FILTER SPECIFICATIONS:

#### **Pre-Filter: PRESED-20**

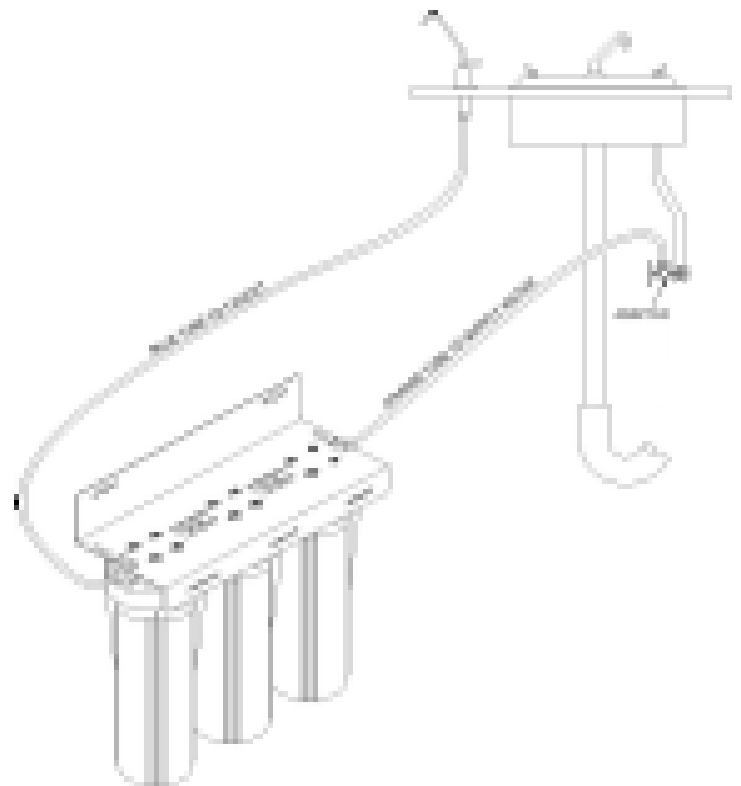
Construction: Pleated Filter  
 Temperature Range: 32°-145° F (0° - 63 C)  
 Maximum Flow Rate: 5 gpm (19 lpm)  
 Dimensions: 2 - 3/8" x 4-7/8" (61mm x 124 mm)  
 Micron Rating: 20 µm Nominal  
 Fits all Standard 10" Housings  
 Meets FDA Requirements for food and beverage contact.

#### **Pre-Filter: PRESED-05**

Construction: 100 % Pure Polypropylene Fibers  
 Temperature Range: 40-145° F (4.4 -62.8°C)  
 Maximum Flow Rate: 5 gpm (19 lpm)  
 Dimensions: 2 - 3/8 in. x4-7/8 in.  
 (61mm x 124 mm)  
 Micron Rating: 5 µm Nominal  
 Initial Pressure Change: 2.00 psid @1.0 GPM  
 Fits all Standard 10 in. Housings  
 Meets FDA Requirements for food and beverage contact.

#### **Filter: GAC-00**

Vibration Packed Granular Activated Carbon  
 Carbon Wt.: 0.75 lbs. Iodine Rating No. 1100  
 Temperature Range: 40° to 125°F (4.4° to 52° C)  
 Maximum Flow Rate: 1.0 gpm (3.875 lpm)  
 Dimensions: 2- 7/8 in. x 9 3/4 in. (73 X 248 mm)  
 Micron Rating: 5 µm Nominal  
 Initial Pressure Change: 2.00 psid @1.0 GPM  
 Chlorine Reduction: 2,500 Gal. @ 1.0 GPM  
 Fits all Standard 10 in. Housings  
 Cartridge is Tested and Certified by International  
 ANSI/NSF Standard 42 - Conforms to requirements



Tubing Size: 1/4 in. O.D  
 System Weight: 18 lbs. /8 Kgs.  
 System Size: 14 in. W x 6 in. L x 12 in. H / 36 cm  
 x 15 cm x 21 cm  
 Min/Max Water Temperature: 40° / 80 °F - 4.4 /  
 62.8C  
 Max Water Pressure: 75 PSI / 5.86 Bar  
 Housing Inlet / Outlet Size: 1/4 in. O.D. tube  
 female  
 Quick Connect x 1/4 in. MNPT  
 Flow Rate : <1.0 GPM / 3.78 LPM - Designed  
 system flow rate to insure proper filtration  
 tolerances.

### SHIPPING INFORMATION

Carton Size.:14 in. W x 6 in. L x 16 in. H

For other performance requirements or  
 applications, other models are available.

\*Based on local water conditions and usage.

**ALL FILTRATION PRODUCT PROUDLY MADE & ASSEMBLED IN THE USA**



## FUGAC350

### Three Stage Upgraded Undercounter Drinking Water Filtration Unit

#### Model: FUGAC350

Improves taste, clarity and odor by removing chlorine and other volatile organic compounds. The upgraded filter also safeguards against lead and cysts (giardia and cryptosporidium). The 5-micron pre-sediment filter serves to remove suspended matter, dirt, rust and sediment and improves performance of other filters. The 20-micron pre-filter is added for heavier sediment and/or particulate water applications. Meets or complies with NSF Standard 53.

- \* Faucet with Chrome, Lead-Free Dispenser (other faucet options available)
- \* Powder Coated, Corrosive Resistant Bracket Mounts Easily
- \* Quick Connect Fittings for Easy Installation
- \* 10" Heavy Duty Housings Contain our Full Sized, Full Bed Depth Cartridges for Optimum Performance and Longer Life
- \* Replacing Filters is Easy; Use the Included Spanner Wrench to Spin Housing Off, Replace Filter, Spin Housing Back On.



#### Benefits:

- \* Safeguards Against Lead and Cysts (Cryptosporidium and Giardia)
- \* Improves Taste, Clarity and Odors
- \* Removes Chlorine and VOC's
- \* Reduces Dirt, Silt, Sediment and Rust
- \* Replaces Costly Bottled Water
- \* Better Tasting, Quality, Filtered Water for Coffee, Tea, Juices and Ice

#### Applications:

- \* Installs Easily at Any Sink, Wet Bar or Any Point of Use Location
- \* Can be Cross-Connected (if applicable) to Refrigerators, Ice Makers and Other Devices
- \* For All Your Drinking and Cooking Needs
- \* Safe for Pets and Plants

#### Upgrade Options:

- \* For bacterial, viral, e-coli and/or microorganism safeguard (UU350)
- \* Reverse osmosis (5-stage units with or without UV option), if applicable based on water issues
- \* CWL/EWS Series for Whole Home Filtration with POE Pre-Sediment Unit

#### All completely assembled undercounter units include the following standard features:

White 10" housing with full bed depth filtration cartridges, spanner wrench to open housings for easy filter replacement, chrome, lead-free faucet with white trim for dispensing water (other faucet options available), self-piercing saddle valve for water line connection with shut-off valve (see service guide for your correct application), all necessary tubing (color coded) to make proper connections, simple to use mounting bracket, UV lamp and setup (UV unit only) and complete service guide with installation and use instructions.

**ALL FILTRATION PRODUCT PROUDLY MADE & ASSEMBLED IN THE USA**



## Technical Information: FUGAC350 REPLACEMENT FILTERS

Part No.	Description	Replacement Time*
PRESED-20	20 Micron Pleated Filter	Up to a Year
PRESED-05	5 Micron Sediment Cartridge	Up to a Year
GACB-50	Lead and Cyst Removal Cartridge	Up to a Year

### FILTER SPECIFICATIONS:

#### **Pre-Filter: PRESED-20**

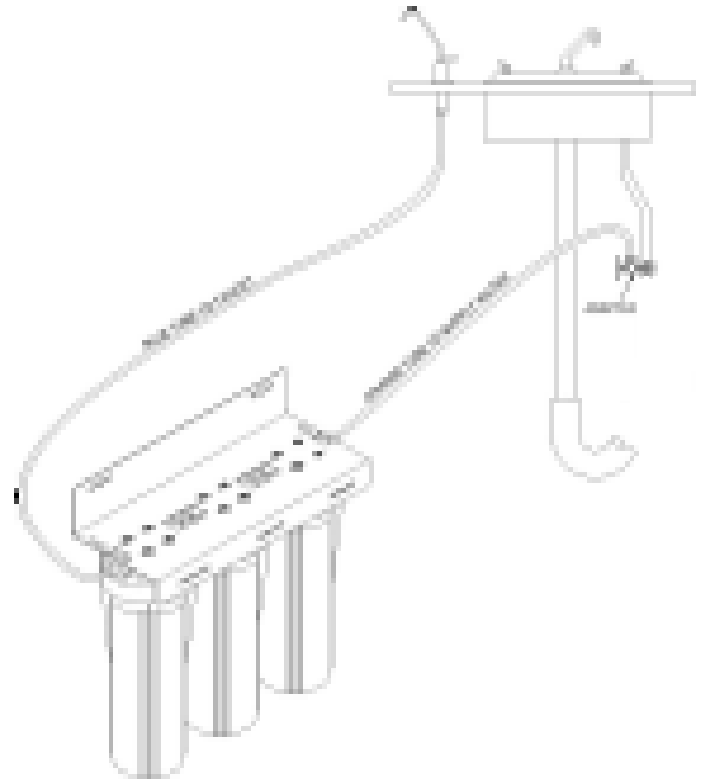
Construction: Pleated Filter  
 Temperature Range: 32°-145° F (0° - 63 C)  
 Maximum Flow Rate: 5 gpm (19 lpm)  
 Dimensions: 2 - 3/8" x 4-7/8" (61mm x 124 mm)  
 Micron Rating: 20 µm Nominal  
 Fits all Standard 10" Housings  
 Meets FDA Requirements for food and beverage contact.

#### **Pre-Filter: PRESED-05**

Construction: 100 % Pure Polypropylene Fibers  
 Temperature Range: 40-145° F (4.4 -62.8°C)  
 Maximum Flow Rate: 5 gpm (19 lpm)  
 Dimensions: 2 - 3/8 in. x 4-7/8 in.  
 (61mm x 124 mm)  
 Micron Rating: 5 µm Nominal  
 Initial Pressure Change: 2.00 psid @1.0 GPM  
 Fits all Standard 10 in. Housings  
 Meets FDA Requirements for food and beverage contact.

#### **Filter: GACB-50**

Construction: Extruded Activated Carbon Block  
 Carbon Wt.: 0.85 lbs. Iodine Rating No. 1100  
 Temperature Range: 40° to 125°F (4.4° to 52°C)  
 Maximum Flow Rate: 1.0 gpm (3.875 lpm)  
 Dimensions: 2.50 x 9 3/4 in. (62 X 248 mm)  
 Micron Rating: 1 - 2 µm  
 Initial Pressure Change: 4.0 psid @0.75 GPM  
 Chlorine Reduction: 6,000 Gal. @ 0.75 GPM  
 Lead Reduction: 2,500 Gal. @ 0.75 GPM to obtain  
 minimum 90% removal of influent (150 ppb) in  
 accordance with NSF International Protocol  
 Cyst Reduction: 99.984% reduction of 3 - 4µm  
 Fits all Standard 10 in. Housings  
 Manufactured using FDA-approved materials  
 Cartridge meets or complies with NSF Standard 53.



Tubing Size: 1/4 in. O.D  
 System Weight: 18 lbs. /8 Kgs.  
 System Size: 14 in. W x 6 in. L x 12 in. H / 36  
 cm x 15 cm x 21 cm  
 Min/Max Water Temperature: 40° / 80 °F - 4.4  
 / 62.8C  
 Max Water Pressure: 75 PSI / 5.86 Bar  
 Housing Inlet / Outlet Size: 1/4 in. O.D. tube  
 female  
 Quick Connect x 1/4 in. MNPT  
 Flow Rate : <1.0 GPM / 3.78 LPM -Designed  
 system flow rate to insure proper filtration  
 tolerances.

For other performance requirements or  
 applications, other models are available.  
 \*Based on local water conditions and usage.



## Three Stage Upgraded Undercounter Drinking Water Filtration Unit with UV Bacteria-Kill

### Model: UU350

This three stage unit (UU350) has the filtration capabilities of the FUGAC350 but adds the UV upgrade for greater performance. The 5-micron pre-sediment filter serves to remove suspended matter, dirt, rust and sediment to improve performance of other filters. The 20-micron pre-filter is added for heavier sediment and/or particulate water applications. The upgraded GACB-50 filter cartridge removes chlorine and other volatile organics, to improve taste, clarity and odors and additionally reduces lead and cysts (cryptosporidium and giardia). In addition, water flows through the UV module for effective bacterial, viral, E-Coli and microorganism safeguard and kill (as tested 99.99% effective). Meets or complies with NSF Standards 53 and 55.

- \* Faucet with Chrome, Lead-Free Dispenser (other faucet options available)
- \* Powder Coated, Corrosive Resistant Bracket Mounts Easily
- \* Quick Connect Fittings for Easy Installation
- \* 10" Heavy Duty Housings Contain our Full Sized, Full Bed Depth Cartridges for Optimum Performance and Longer Life
- \* Replacing Filters is Easy; Use the Included Spanner Wrench to Spin Housing Off, Replace Filter, Spin Housing Back On.



#### Benefits:

- \* Safeguards and Kills Bacteria, Viral, E-Coli and other Microorganisms
- \* Safeguards Against Lead and Cysts (Cryptosporidium and Giardia)
- \* Improves Taste, Clarity and Odors
- \* Removes Chlorine and VOC's
- \* Reduces Dirt, Silt, Sediment and Rust
- \* Replaces Costly Bottled Water
- \* Better Tasting, Quality, Filtered Water for Coffee, Tea, Juices and Ice

#### Applications:

- \* Installs Easily at Any Sink, Wet Bar or Any Point of Use Location
- \* Can be Cross-Connected (if applicable) to Refrigerators, Ice Makers and Other Devices
- \* For All Your Drinking and Cooking Needs
- \* Safe for Pets and Plants

#### Upgrade Options:

- \* Reverse osmosis (5-stage units with UV options), if applicable based on water issues
- \* CWL/EWS Series for Whole Home Filtration with POE Pre-Sediment Unit

#### All completely assembled undercounter units include the following standard features:

White 10" housing with full bed depth filtration cartridges, spanner wrench to open housings for easy filter replacement, chrome, lead-free faucet with white trim for dispensing water (other faucet options available), self-piercing saddle valve for water line connection with shut-off valve (see service guide for your correct application), all necessary tubing (color coded) to make proper connections, simple to use mounting bracket, UV lamp and setup (UV unit only) and complete service guide with installation and use instructions.

**ALL FILTRATION PRODUCT PROUDLY MADE & ASSEMBLED IN THE USA**





**Technical Information: UU350**
**REPLACEMENT FILTERS**

<b>Part No.</b>	<b>Description</b>	<b>Replacement Time*</b>
PRESED-20	20 Micron Pleated Filter	Up to a Year
PRESED-05	5 Micron Sediment Cartridge	Up to a Year
GACB-50	Lead and Cyst Removal Cartridge	Up to a Year
UV-LAMP (white lamp cord)	6 watt UV Replacement Lamp	Annually
UV-LAMP-4.PIN (red striped lamp cord)		

**FILTER SPECIFICATIONS:**
**Pre-Filter: PRESED-20**

Construction: Pleated Filter  
 Temperature Range: 32°-145° F (0° - 63 C)  
 Maximum Flow Rate: 5 gpm (19 lpm)  
 Dimensions: 2 - 3/8" x 4-7/8" (61mm x 124 mm)  
 Micron Rating: 20 µm Nominal  
 Fits all Standard 10" Housings  
 Meets FDA Requirements for food and beverage contact.

**Pre-Filter: PRESED-05**

Construction: 100 % Pure Polypropylene Fibers  
 Temperature Range: 40-145° F (4.4 -62.8°C)  
 Maximum Flow Rate: 5 gpm (19 lpm)  
 Dimensions: 2 - 3/8 in. x4-7/8 in. (61mm x 124 mm)  
 Micron Rating: 5 µm Nominal  
 Initial Pressure Change: 2.00 psid @1.0 GPM  
 Fits all Standard 10 in. Housings  
 Meets FDA Requirements for food and beverage contact.

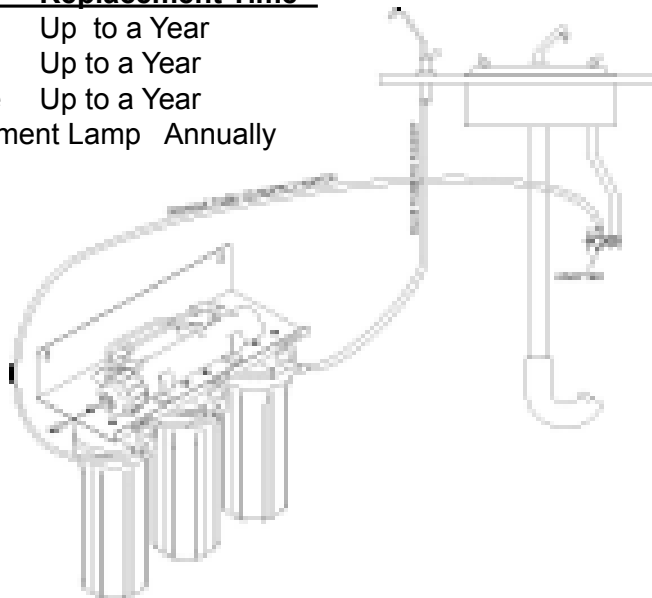
**Ultraviolet Lamp: UV-LAMP (white lamp cord) or UV-Lamp-4.PIN (red striped lamp cord)**

Construction: 316 Bonded Stainless Steel Interior  
 Temperature Range: 40-105° F (4.4 - 40°C)  
 Maximum Flow Rate: 1.0 gpm (3.875 lpm)  
 Dimensions: 2 in. O.D. x 11.50 in. L(51 mm x 292 mm)  
 U.V Rating Output: 30,000 micro-watts at maximum flow. Watts: 6 Ports: 1/4 in.  
 UV Module meets or complies with NSF Standard 55.  
 All materials meet FDA or NSF requirements. The UV unit was effective in killing (> 99%) E-coli and significantly reducing the level of micrococcus luteus.

**SHIPPING INFORMATION**

Carton Size.:14 in. W x 6 in. L x 16 in. H  
 Carton Wt.: 18 lbs. / 8 kgs.

For other performance requirements or applications, other models are available.\*Based on local water conditions and usage.


**Filter: GACB-50**

Construction: Extruded Activated Carbon Block  
 Carbon Wt.: 0.85 lbs. Iodine Rating No. 1100  
 Temperature Range: 40° to 125°F (4.4° to 52°C)  
 Maximum Flow Rate: 1.0 gpm (3.875 lpm)  
 Dimensions: 2.50 x 9 3/4 in. (62 X 248 mm)  
 Micron Rating: 1 - 2 µm  
 Initial Pressure Change: 4.0 psid @0.75 GPM  
 Chlorine Reduction: 6,000 Gal. @ 0.75 GPM  
 Lead Reduction: 2,500 Gal. @ 0.75 GPM to obtain minimum 90% removal of influent (150 ppb) in accordance with NSF International Protocol.  
 Cyst Reduction: 99.984% reduction of 3 - 4µm  
 Fits all Standard 10 in. Housings. Manufactured using FDA-approved materials. Cartridge meets or complies with NSF Standard 53.

Tubing Size: 1/4 in. O.D  
 System Weight: 18 lbs. /8 Kgs.  
 System Size: 14 in. W x 6 in. L x 12 in. H / 36 cm x 15 cm x 21 cm  
 Min/Max Water Temperature: 40° / 80 °F - 4.4 / 62.8C  
 Max Water Pressure: 75 PSI / 5.86 Bar  
 Housing Inlet / Outlet Size: 1/4 in. O.D. tube female Quick Connect x 1/4 in. MNPT  
 Flow Rate : <1.0 GPM / 3.78 LPM- Designed system flow rate to insure proper filtration tolerances.



## Pre-Sediment Filter Replacements for Drinking Water Filtration Systems

**Model No: PRESED-05**  
**Replace: up to a year\***  
**Pre-Sediment Filter (5-micron)**

5-Micron Prefilter is a pure, high quality polypropylene depth filter, with no fillers or binders, with exceptional dirt holding capability. The removal of any dirt, silt, rust or suspended matter protects the remaining cartridges and extends the performance of other filters. This Prefilter is standard in all our undercounter drinking water systems and reverse osmosis units.

Meets or complies with all FDA requirements for food and beverage contact.

**In Use With: All Drinking Water Filtration Systems**



**Model No: PRESED-20**  
**Replace: up to a year\***  
**Pre-Sediment Filter (20-micron)**

20-Micron Prefilter is a pleated filter with exceptional dirt holding capability. The removal of any dirt, silt, rust or suspended matter protects the remaining cartridges and extends the performance of other filters. This Prefilter is standard in all our three stage undercounter drinking water systems for very particulate water conditions.

Meets or complies with all FDA requirements for food and beverage contact.

**In Use With: Three-Stage Drinking Water Filtration Systems (only)**  
**FUGAC300, FUGAC350, UU350**



**See following page for Post-Filter and UV Lamp Replacements**

**\*Replacement is based on local water conditions and usage.  
Replace as needed and/or not beyond recommended time limit**

**ALL FILTRATION PRODUCT PROUDLY MADE & ASSEMBLED IN THE USA**



## Post Filter and UV Replacements for Drinking Water Filtration Systems

**Model No: GAC-00 (Good)**

**Replace: up to a year\***

**Granular Activated Carbon (GAC) Postfilter++**

This vibration packed cartridge uses the highest quality (Iodine No. 1100) granular activated carbon for effective reduction of taste, clarity and odor problems such as Chlorine and VOC's. Cartridges are designed to allow water to pass through entire carbon bed to allow maximum adsorption. This Postfilter is standard in our; FUGAC100, FUGAC200, FUGAC300 and all Reverse Osmosis Units.

Meets or complies with NSF Standard 42. See Removal Reference Chart.

**In Use With: FUGAC200, FUGAC300**



**Model No: GACB-50 (Better or Best with UV)**

**Replace: up to a year\***

**Carbon Block 1-Micron Postfilter++**

The GACB-50 is designed for effective reduction of taste, clarity and odor problems such as Chlorine and VOC's. In addition, the filter reduces Lead and Cysts such as Giardia and Cryptosporidium. Cartridges are designed to allow water to pass through entire carbon bed to allow maximum adsorption. This Upgraded Postfilter is standard in our; FC150, UC150, FUGAC150, FUGAC250, UU250, FUGAC350 and UU350.

Meets or complies with NSF Standard 53.

See Removal Reference Chart and the Upgraded Capabilities.

**In Use With: FUGAC250, UU250, FUGAC350, UU350**



**Model No:**

**UV-LAMP (white lamp cord) or UV-LAMP-4.PIN (red striped lamp cord)**

**Replace: Annually, or as needed\***

**UV Lamp - UV Bacteria-Kill Units**

UV Unit is a 6 Watt UV lamp that effectively kills bacteria (>99%). 316 Bonded Stainless Steel Interior enhances kill power by reflecting UV light and eliminates degradation of polypropylene housing. Due to advanced design, water is spun through the module to eliminate shadowing and shading which additionally maximizes kill power. Made in USA.

Lamp Life: To be replaced after 1 year of continuous operation.

UV Module meets or complies with NSF Standard 55. See Testing.

**In Use With: UU250, UU350**



++Compare to loosely filled cartridges using carbon of lower Iodine No's. (industry standards are 600-650, imported filters may meet minimum compliances at 450). Be cautious of impregnated papers, KDF media and/or combined materials and filter purposes. Be aware of smaller filter diameters and limited time, usage and replacement requirements.

**\*Replacement is based on local water conditions and usage.  
Replace as needed and/or not beyond recommended time limit**

**ALL FILTRATION PRODUCT PROUDLY MADE & ASSEMBLED IN THE USA**



**GAC-00 and GACB-50 Filters:**
**Standard 42 Aesthetic Effects/Standard 53 Health Effects**

Parameter	US EPA MCL	Influent Challenge	Effluent Average	Effluent Maximum	Percent Reduction Average	Percent Reduction Minimum
Chlorine	-	2.0 mg/L	0.03 mg/L	0.06 mg/L	98.5	97
Cyst	99.95% Reduction	111,750 Particles/ml	1 particle/ml	2 particles/ml	99.99%	99.99
Lead pH 8.5	15 ug/L	135 ug/L	5.5 ug/L	13 ug/L	95.9%	90
Lead pH 6.5	15 ug/L	149 ppb	1 ug/L	1 ug/L	99%	99

**Notes Regarding NSF Compliant Testing**

The filters were challenged to remove 2 mg/L of chlorine where the average effluent in most tap water can be approximately .5 mg/L and a maximum up to 1.5 mg/L.

The challenge level of chlorine is much higher than found in treated tap water and makes the assumption for chloramine found as an alternative treatment method to disinfect tap water.\*

The challenge of each filter resulted in a minimum chlorine reduction of only 97% and an average of 98.5% over 1,500 gallons at .9 gpm with a lead and cyst removal of 90 to 99% based on variances in pH range.

**Note:**

The lead and cyst testing was done where the amounts tested were 10 times the allowable limit set by the EPA.


**Advanced Carbon Block (FUGAC250, FUGAC350, UU250, UU350)**

GACB-50 1 micron carbon block filter meets or complies with NSF Standard 42 and 53 for reduction of Chlorine, other Volatile Organic Compounds, Lead and Cysts. The cartridge utilizes a high performance advanced kinetic and catalytic granular activated carbon as an extruded 1 micron carbon block which provides exceptional filtration capacity and effectively reduces by an average of 98.5% chlorine, VOCs, bad taste and odor in drinking water. This same filter also reduces lead by an average between 95.9% (@ pH 8.5) and 99% (@ pH 6.5) while eliminating Cysts by 99.99%. This is the last stage and final pass the water makes in all EWS Essential Drinking Water Systems.

Lead and Heavy Metal Reduction and Reduction of Soluble and Insoluble (Particulate) Lead

Particulate filtration is used to intercept insoluble lead-containing particles. GACB-50 filters will reduce lead, a minimum of 95.9 (@ pH 8.5) and 99% (@ pH 6.5) over 1,500 gallons @ 0.9 gpm meeting NSF test protocol for Standard 53.


Chemical Adsorption

GACB-50 1 micron carbon block filters offer high levels of chemical reduction in potable drinking water, including the removal of chlorine and other compounds that contribute to taste and odor and reduces chlorine in a testing challenge by an average of 98.5% over 1,500 gallons @ 0.9 gpm meeting NSF test protocol for Standard 42.

Particulate, Cyst and Turbidity Reduction

GACB-50 1 micron carbon block filters provide >99.99% reduction of 3-4 µm particulate, and 99.99% reduction of 1-2 µm particulates.



F-GAC advanced carbon filter meets or complies with NSF Standard 42 for reduction of Chlorine and other Volatile Organic Compounds. The cartridge utilizes a high performance advanced kinetic and catalytic granular activated carbon which provides exceptional filtration capacity and effectively reduces by an average of 98.5% chlorine, voc's, bad taste and odor in drinking water.

### About Municipally-Treated Water

Municipal water is heavily regulated, monitored, tested, filtered and treated. Most taste, quality and health issues are directly related to the treatment or disinfection of the water and their by-products, as well as man-made pollutants common to most water (see reference #'s below generally between 3 to 5). Issues with heavy metals and primary contaminants (see reference #'s below generally between 0 to 2) are highly regulated and effectively treated by water utilities. These contaminants are rarely an issue with water quality.

### How to Use the (GAC) Carbon Filtration Reference Chart

Below is a simple reference chart to give some perspective as to GAC's capabilities with various substances. Some items are heavy metals and inorganics, while others are VOC's (volatile organic compounds), some of which are man-made pollutants. Still other items, such as hardness, are not even considered contaminants. In general, GAC is very economical and a great compliment to municipally-treated water without the disadvantages of more aggressive filtration. GAC is used in all filtration due to its removal capacities. Know your water to select the correct product for you, your family and your home.

Acetaldehyde	4	Emulsions	2	Lead	3	Precipitated Sulfur	2
Acetic Acid	3	Ethyl Acetate	5	Lime	0	Propioic Acid	4
Acetone	4	Ethyl Acrylate	5	Mercaptans	4	Propionaldehyde	3
Alcohols	4	Ethyl Alcohol	4	Metal Salts	1	Propyl Acetate	4
Alkalinity	1	Ethyl Amine	4	Methyl Acetate	4	Propyl Alcohol	4
Amines	3	Ethyl Chloride	4	Methyl Alcohol	4	Propyl Chloride	4
Ammonia	3	Ethyl Ether	4	Methyl Bromide	5	Radon	4
Amyl Acetate	5	Fertilizers	1	Methyl Chloride	4	Rubber Hose Taste	5
Amyl Alcohol	5	Fluorides	2	Methyl Ethyl Ketone	5	Seawater	1
Antifreeze	4	Formaldehyde	2	Naphtha	5	Sediment	2
Arsenic	1	Gasoline	5	Nitrates	0	Soap	3
Benzene	5	Glycols	5	Nitric Acid	3	Sodium Hypochlorite	5
Bleach	5	Hardness	0	Nitrobenzene	5	Soluble Iron	2
Boron	1	Heavy Metals	3	Nitrotoluene	5	Solvents	4
Butly Alcohol	5	Herbicides	5	Odors (General)	5	Sulfuric Acid	1
Butly Acetate	5	Hydrogen Bromide	2	Oil - Dissolved	5	Sulphonated Oils	4
Calcium Hypochlorite	5	Hydrogen Chloride	1	Oil - Suspended	2	Suspended Matter	2
Carbon Dioxide	0	Hydrogen Fluoride	1	Organic Acids	4	Tannins	4
Chloral	5	Hydrogen Iodide	2	Organic Esters	5	Tar Emulsion	4
Chloramine	4	Hydrogen Peroxide	5	Organic Salts	4	Tartaric Acid	4
Chloroform	5	Hydrogen Selenide	3	Oxalic Acid	5	Taste (DI Water)	4
Chlorine	5	Hydrogen Sulfide	3	Oxygen	5	Taste (From Organics)	4
Clorobenzene	5	Hydrochlorous Acid	5	Ozone	4	THM's	5
Chlorophenol	5	Inorganic Acids	1	PCB's	5	Toluene	5
Chlorophyll	4	Inorganic Chemicals	1	Pesticides	5	Toluidine	5
Citric Acid	4	Insecticides	5	Phenol	5	Trichlorethylene	5
Cresol	5	Iodine	5	Phosphates	0	Turpentine	5
Defoliant	5	Isopropyl Acetate	5	Plastic Taste	5	Urine	2
Detergents	3	Isopropyl Alcohol	5	Plating Wastes	3	Vinegar	3
Diesel Fuel	5	Ketones	5	Potassium Permanganate	4	Xanthophyll	4
Dyes	5	Lactic Acid	4	Precipitated Iron	2	Xylene	5

### KEY TO THE ABOVE LIST FOR CARBON FILTRATION:

**5 - EXCELLENT:** Proven Application      **4 - VERY GOOD:** Proven Application      **3 - GOOD:** Very Acceptable Result  
**2 - FAIR:** limited application      **1 - POOR:** not a recommended application (See RO)      **0 - Not applicable** (See RO)

- Carbon Block technology has additional filtration capabilities and is the last stage in all EWS Essential Drinking Water Systems. See additional information.
- UV Disinfection for greater safeguards (DWS-UV, optional with Reverse Osmosis). See additional information.
- To prevent the absorption and inhalation of chlorine, chloramine, VOCs, by-products and pollutants. See CWL or EWS Whole Home Systems for GAC filtration to the entire home for bathing, showering and all uses.

**ALL FILTRATION PRODUCT PROUDLY MADE & ASSEMBLED IN THE USA**





## UV Disinfection Technical Specifications (UU250 or UU350 only)

UV-LAMP is the lamp within the UV module which provides for the safeguard against Bacteria, E-coli, Viral and other Microorganisms and meets or complies with NSF Standard 55. See specifications and testing below.

Lamp Information:	Life specified up to 1 year of continuous operation based on testing protocol**		
Housing:	2" O.D. x 11.50" L	Fittings:	Compression x 1/4 in. MNPT
Bulb Wattage:	6 Watts	UV Output:	30,000 micro-watts at maximum flow rate
Min/Max Water Temp:	40° to 85°F (4.4° to 29.5° C)	Max Water Pressure:	60 PSI / 4.14 Bar
Flow Rate :	<1.0 GPM / 3.78 LPM		
Max Static Temp Rise:	up to 16.1° F above ambient - Water will be warm when sitting. Run water until cool.		

Lower Housing contains a 316 bonded stainless steel interior for better UV contact which maximizes killing power by reflecting UV light and the off-centered in/out, side ports allow water to spin through module to eliminate any shadowing or shading during UV contact. Sight port allows consumer to see whether UV lamp is on.

Upper Housing Cap seals module and contains opening and easy-to-clean quartz sleeve where UV lamp is inserted.

UV Lamp with snap-fit top, 4 pin red cord with electrical step-down transformer. Never open upper housing cap. Just simply pull lamp out for removal and snap back in for replacement. Electric connection is simple plug in.



UV Results: "The unit was effective in killing E-coli and significantly reducing the level of micrococcus luteus. Based on previous testing, the unit produces approximately 17,000 μwatt/seconds when operated at a low rate of 0.75 gallons per minute." TRUESDAIL LABORATORIES, INC., TUSTIN, CA, U.S.A. 1989 LABORATORY NO. 26995.

Organism Tested	Control Count	Exposed Count	Percent Reduction of Control
E-Coli	1,400,000	<1*	>99.99992
Micrococcus Luteus	500,000	1170	99.66
Micrococcus Luteus	500,000	850	99.83

The unit was tested by pumping bottled spring water seeded with E-coli (ATCC 8739) and Micrococcus luteus (ATCC 9341) through at a rate of 0.75 gallons per minute. The unit was allowed to warm up five minutes before testing. Samples of the exposed and non exposed water were taken and duplicate plate counts conducted (plate Count Agar, 35C, 48 hours). The results are given above.:

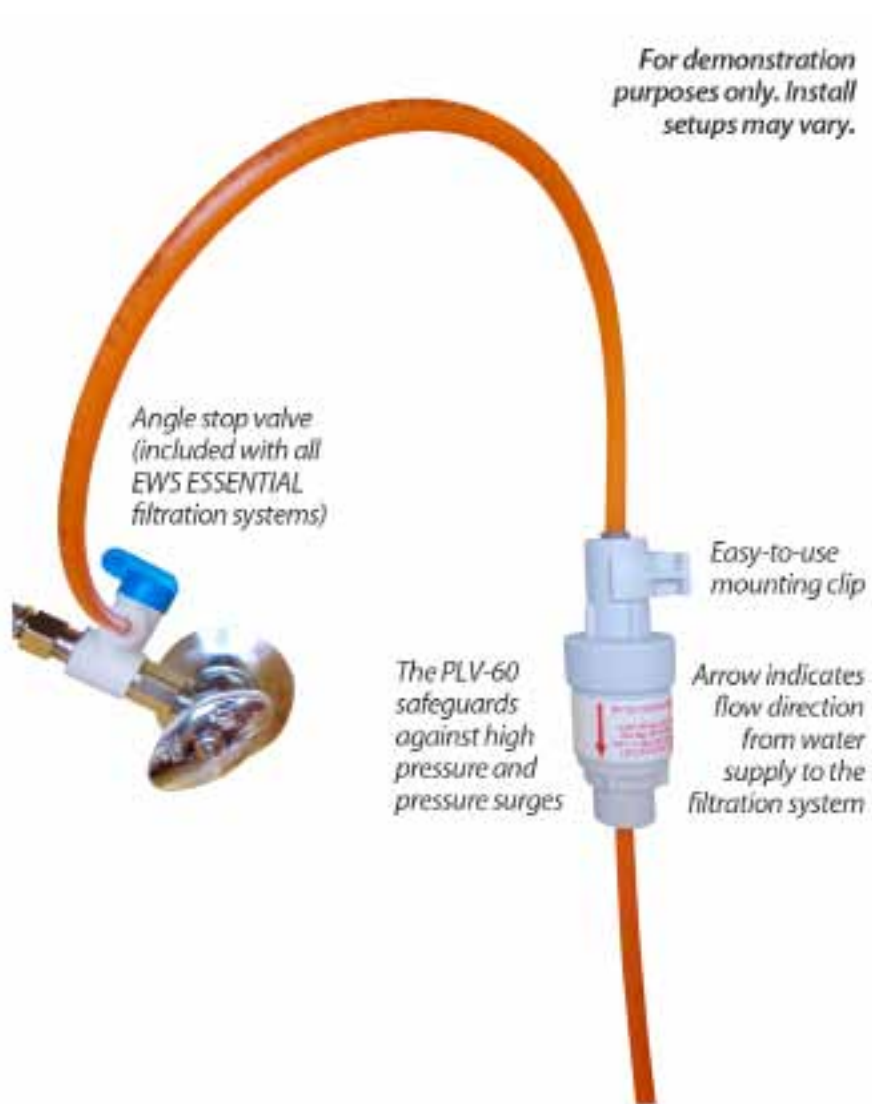
\*\*Warning: The UV lamp is effective through one year of continuous service and must be replaced annually to maintain a 99% effective rate.





### Highly Recommended

- This device is of vital importance to safeguard against high pressure or pressure surges above 60 psi.
- Many point of use product such as heaters and chillers have warranty issues with water supply pressure that may exceed 60 psi.
- All point of use (sink) filtration product function best above 40 psi but should be limited to 60 psi for optimum performance and product longevity. Warranty pressure should not exceed 75 psi.



**Item #: PLV-60-14**

**High pressure system to protect drink dispensers, water filters, ice makers, coffee machines, chillers (cold water systems), hot tanks (hot water systems) and other devices**

Easy to install at supply side (cold water only) before any device.

Simple connection with supplied quick connect fittings to 1/4" tubing.

- Integral Dual Check Valves
- Resists Water Hammer
- Stops backflow
- Supplied with mounting clip

Manufacturer strongly suggests that PLV-60-14 be replaced up to every 5 years based on usage and conditions.

**CAUTION:**

**Installation of the PLV-60-14 is highly recommended on the 1/4" incoming supply or feed lines for all Point of Use or Sink Filtration Systems with 1/4" lines as a safeguard only. Constant high pressure, pressure surges or water hammer are problems that need to be addressed at the source or cause.**

For this part, please contact EWS Customer Service for a distributor near you or visit an authorized online distributor @ [www.waterontheweb.com](http://www.waterontheweb.com)

**ALL FILTRATION PRODUCT PROUDLY MADE & ASSEMBLED IN THE USA**



**FDA\*, EPA and NSF\*\* Compliances**

Please be advised that all the materials and components utilized in producing all POU (Point of Use) drinking water filtration and reverse osmosis systems, and all POE (Point of Entry) filtration, conditioning and softening equipment, by EWS, Inc., comply with, but are not limited to, one or more of the following regulating standards:

NSF STANDARD 14	FDA 21 CFR 177.1520	FDA 21CFR 177.1640	FDA 21 CFR 177.1350
FDA 21 CFR 175.105	CAS # 7440-44-0	ANSI 304	CDA C360000
NSF STANDARD 60	NSF STANDARD 61	NSF STANDARD 58	ANSI 302
ANSI 316	FDA 21 CFR 177.2600	FDA 21 CFR 175.300	FDA 21 CFR 177.2550
NSF STANDARD 52	NSF STANDARD 42	NSF STANDARD 18	FDA 21 CFR 177.2550
FDA 21 CFR 177.1655	FDA 21 CFR 177.1630	FDA 21 CFR 177.2800	FDA 21 CFR 175.300
FDA 21 CFR 177.2260	FDA 21 CFR 181.32	FDA 21 CFR 177.2660	FDA 21 CFR 177.1950
FDA 21 CFR 177.2910	FDA 21 CFR 177.2250	FDA 21 CFR 177.1680	NSF STANDARD 53
NSF STANDARD 55	CAAB1953		

- \*The standards listed above relate to the Code of Federal Regulations of the United States of America, Title 21, Charter 1, Subchapter B set forth by the U.S. Food and Drug Administration.
- \*\*The NSF (National Sanitation Foundation) standards correlate to materials and potable water. The National Sanitation Foundation is not a government agency.

**Furthermore, and without, exception every component included in all POU and POE systems by EWS, Inc. are compliant for food and beverage contact and/or meet or comply with the most current, appropriate, and applicable standards without exception.**

All EWS product has been independently tested to NSF standards by an accredited third-party laboratory for all claims made regarding NSF/ANSI standards.

**Please take note of this helpful and enlightening information on this confusing subject:**

Contrary to common belief and less than truthful marketing, drinking water treatments units are NOT required to be "NSF Certified" (as tested by NSF itself), but they must be independently tested to applicable NSF standards by an accredited, independent laboratory. Though the test standards bear the NSF/ANSI name, NSF is just one of many accredited institutions.

- All EWS Product is No-Lead Compliant to California AB1953 and the No-Lead Standards which will take effect throughout the USA as of 2014.

**Factory Preparation:**

All systems are factory prepared and thoroughly checked to assure proper function and if applicable, quality tests of product water produced to assure that minimum standards of rejection have been met, and/or tests of specific components to assure correct function and flow rate measurements to assure efficiency specifications are met.

**Product Performance:**

- ◆ For all product capabilities, compliances and/or warranties to remain valid, all systems are dependent upon proper application, specification, and installation of any specific unit and/or combination of units.
- ◆ Please know your local or individual water condition(s), and plumbing application(s). Please review system(s) capabilities, applications, setup, installation, startup, maintenance, and related warranties.
- ◆ Detailed information is published in EWS Product Manuals and specific Product Service Guides (included with each specific unit) and made available upon request throughout US distribution and/or EWS corporate offices. All current information is available online @ [www.ewswater.com](http://www.ewswater.com)

**ALL FILTRATION PRODUCT PROUDLY MADE & ASSEMBLED IN THE USA**



**Summary of Performance Guidelines, Factory Preparation, Product Performance, and Compliances**

Product performance may vary based on local water conditions, proper product specification and application, proper plumbing application, setup, installation, startup, maintenance and/or usage. To ensure proper operation, follow all setup, installation, start-up and maintenance procedures as detailed in all service guides. In addition, follow all applicable local plumbing codes.

The feed water must comply with the following conditions for all systems capabilities, compliances, and warranties to remain valid. All commercial POU and POE systems: Performance guidelines and feed water compliance dependent on specification and application, please consult with EWS, Inc. upon specification.

Water Temperature Range:	minimum 40°F, maximum 80°F		
Water Pressure:	Point of Use (POU):	minimum 40 psi, maximum 75 psi;	
	Point of Entry (POE):	minimum 40 psi, maximum 75 psi	
Water Flow Rates:			
Point of Use (POU):	water supplied to residential sink product:	at a minimum of 1 gpm	
Point of Entry (POE):	water supplied to tanks up to 1054:	at a minimum of 8 gpm	
	water supplied to 1354 tanks:	at a minimum of 12 gpm	

All product must be connected to main or cold water supplies. Product not intended to be connected to hot water supplies or allow heated water to flow through systems. Contact EWS, Inc. for product available for this purpose.

All product contain water. Do not allow any product to freeze.

Do not use where water is microbiologically unsafe or with water of unknown quality without adequate disinfection before or after the unit(s).

Reverse Osmosis Systems Only: Never allow reject water to be hindered or stopped, without the reject water flow or improper drain connection, impurities may build up on membrane.

Point of Entry (POE) Units: Do not prevent backwash or brine lines to be stopped or restricted. Create and allow air gap to prevent any cross contamination.

**Compliances:**

Please be advised that all the materials and components utilized in producing all POU (Point of Use) drinking water filtration and reverse osmosis systems, and all POE (Point of Entry) filtration, conditioning and softening equipment, by EWS, Inc., comply with, but are not limited to, any one or more of the appropriate regulating standards. Furthermore, and without exception, every component included in all POU and POE systems by EWS, Inc. are compliant for food and beverage contact and/or meet or comply with the most current, appropriate, and applicable standards without exception.

**Factory Preparation:**

All systems are factory prepared and thoroughly checked to assure proper function and if applicable, quality tests of product water produced to assure that minimum standards of rejection have been met, and/or tests of specific components to assure correct function and flow rate measurements to assure efficiency specifications are met.

**Product Performance:**

- ◆ For all product capabilities, compliances and/or warranties to remain valid, all systems are dependent upon proper application, specification, and installation of any specific unit and/or combination of units.
- ◆ Please know your local or individual water condition(s), and plumbing application(s). Please review system(s) capabilities, applications, setup, installation, startup, maintenance, and related warranties.
- ◆ Detailed information is published in EWS Product Manuals and specific Product Service Guides (included with each specific unit) and made available upon request throughout US distribution and/or EWS corporate offices. All current information is available online @ [www.ewswater.com](http://www.ewswater.com)

**ALL FILTRATION PRODUCT PROUDLY MADE & ASSEMBLED IN THE USA**



## Warranty Notification

**Notification:**

This warranty is referenced by EWS, Inc. in all literature, addressed in General Terms and Standard Conditions of Sale, and is published in its entirety in all EWS, Inc. product manuals, websites, and in all service guides supplied with all product.

**Limited Warranty:**

EWS, Inc., a Nevada corporation, hereby warrants all products to the original consumer purchaser to be free from defects in material and workmanship as stated in the following paragraphs:

- All residential point of use: countertop filtration, in-line filtration, undercounter drinking water filtration, shower filtration, residential reverse osmosis, and canister and filter cartridge point of entry pre-sediment and/or filtration units or systems for one year from date of purchase.
- All residential point of entry: pH decreasing and softener (resin and ion-exchange) systems, Environmental (EWS) Water Systems, Iron Removal units, CWL whole-home (filtration media) systems, pH increasing reagent (sacrificial media) units for 10 years on the tank and riser, 10 years on the ICN conditioner(s) (if applicable) and 5 years on the valve head from date of purchase.
- All commercial systems: Dependent on specification and application, please consult with EWS, Inc. upon specification.
- All filtration medias, resins, cartridges, uv lamps, and/or membranes are not covered by any warranty. Filter media, resin, cartridge, uv lamp, and/or membrane replacement or maintenance schedule will vary and must be replaced, as necessary, as determined by usage and local water conditions.

Product performance may vary based on local water conditions, proper product specification and application, proper plumbing application, setup, installation, startup, maintenance and/or usage. To ensure proper operation, follow all setup, installation, start-up and maintenance procedures as detailed in all service guides.

Not intended for use where water is microbiologically unsafe or with water of unknown quality without adequate disinfection before or after unit(s). The contaminants or other substances removed or reduced by these and any other water filtration or treatment devices are not necessarily in your water. To confirm the presence of any primary and secondary contaminants, have your water supply completely analyzed by an independent and approved facility or if applicable, contact your local water utility for information. Aesthetic, non-health related, or constituents without set federal standards may be part of water testing but are insufficient to determine proper application of any water filtration or treatment device.

EWS, Inc. will replace, free of charge, during the warranty period, any part which proves defective in material and/or workmanship under proper product and plumbing specification and application, normal and proper installation, use, service and proper care as published in detail in all service guides included with product. Labor charges are excluded from any warranty service or repair and are not the responsibility of EWS, Inc. Shipping charges may apply to delivered replacement parts or materials. Charges may also apply for the cost of any replacement media, resin, cartridges, uv lamp and/or membrane from any warranty service or repair. Information can be obtained at any time through a local dealer, distributor, representative or direct from EWS, Inc. and/or on-line at; [www.ewswater.com](http://www.ewswater.com). Replacement parts can be obtained from your local dealer, distributor, online or contractor.

This warranty is the exclusive warranty granted by EWS, Inc. and is in lieu of all other warranties of merchantability and fitness for a particular purpose and is further limited to defective parts replacement only. Labor charges and/or damage incurred in setup, installation, and startup, or repair, or replacement, as well as, incidental and consequential damages connected there with, are excluded, and are not the responsibility of, and will not be paid by EWS, Inc.

This warranty is void for any damages due to improper product and/or plumbing specification and/or application, misuse, abuse, neglect, accident, acts of nature, action of any military or civil authorities, improper handling and transportation, or improper setup, installation, and/or startup, or any violation of instructions furnished by EWS, Inc., or any replacement parts other than genuine parts or replacements supplied by EWS, Inc.

This warranty is not a warranty of merchantability, fitness, taste, aesthetics, and/or performance that may be subject to improper product and/or plumbing specification and/or application, misuse, abuse, neglect, accident, acts of nature, action of any military or civil authorities, improper handling and transportation, or improper setup, installation, and/or startup, or any violation of instructions furnished by EWS, Inc.

This warranty is not a warranty of merchantability, fitness, taste, aesthetics, and/or performance that may be personal and of subjective opinion and that does not relate to the performance of any system.

## Warranty Information and the Purchaser's Responsibility

Keep a record of the purchase receipt and/or installation receipt. Purchaser is required fill out warranty registration form(s) on applicable product(s) and register all product by either online @ [www.ewswater.com](http://www.ewswater.com), telephone, postal delivery, fax, e-mail (either [register@ewswater.com](mailto:register@ewswater.com) or information provided to [customerservice@ewswater.com](mailto:customerservice@ewswater.com)). **Failure to do so voids the warranty unless restricted by state regulations.**

EWS, Inc. does not sell, show or make available any information on any consumer in our database. This database is to ensure, if needed, proper warranty service, and good customer service for years to come. Please see our privacy policy published in our website at [www.ewswater.com](http://www.ewswater.com).

**Know Your Water:**

• If on a municipal system, large or small, it is your right as a consumer to have access to the most recent test results and to expect adherence to federal guidelines, as well as any state or local requirements. Any problems should be reported to the appropriate agencies. Please acquire those municipal test results to become an informed consumer.

• If on an individual well, have your water completely and independently tested. Local code may require a simple test for coliform bacteria to approve a well, however you may be unaware of potential problems for you and/or your home. A local water salesman is looking to close a sale and is going to test for hardness minerals and a few simple and obvious issues, which may or may not be contamination problems. Their solution is almost always the same and yet may provide no resolution to any true problems. Obtain our "Guide for the Private Well Owner" on our website; [www.ewswater.com](http://www.ewswater.com). Review our section on well water testing and applications in our complete catalog with your local distributor, dealer, or our representative or visit our website.

**• WARNING:**

Some restrictions apply to the use of softeners. Contact your local municipal water district or Gov't Agency. Brine discharge is already restricted on, or may be a problem for, septic applications and waste water treatment facilities. Since some states have already restricted softeners to metered valves to prevent excessive brine discharge, EWS, Inc. only provides metered valving in its line of softeners.

Restrictions or an outright ban may also apply to hot-side only, salt-exchange tanks or services. Local water dealers and other organizations do not inform consumers of these issues and believe these rules are unenforceable. The consumer is ultimately responsible.

Softeners may also provide warranty issues with pools and spas, certain other products and finishes. Softened water should not be used for drinking, cooking, pets or plants and is usually bypassed or "looped away" from the cold side of the kitchen sink. Reverse osmosis, which also has its drawbacks and issues with other products and materials, may be used to remove the salt from the water that the softener put in at the kitchen sink, yet may be misapplied for the actual local water conditions.

Any problems of water quality, or the fitness of any EWS, Inc. product that is associated with any mechanical, construction, application, installation, and/or environmental issue(s) (ie: flow rates, line pressure, piping materials, broken supply lines, changing water conditions; well or municipal water quality, et. al.), known or unknown, of the home or facility will not be considered by EWS, Inc. until such issue(s) have been resolved.

Responsibility for the proper product and/or plumbing specification, application and/or installation of any device manufactured by EWS, Inc. lies with the consumer, their builder contractor, plumbing sub-contractor and any other installer of choice. Items do not specify and/or install themselves. EWS, Inc. has provided many sources to acquire information on the proper application of systems and their installation prior to any purchase. EWS, Inc. manufactures a complete product line of point of use water filtration systems and point of entry filtration, softening and/or conditioning systems and/or appliances.

EWS, Inc. and the distributors of EWS, Inc. will stand behind the warranties of materials and workmanship. However, EWS, Inc. and the distributors of EWS, Inc. and the Environmental Water Systems Product Line do not bear any responsibility for improper applications of product and/or improper installation. It is for this reason that EWS, Inc. provides complete information on all product for your understanding, specification, application and selection, and proper plumbing application and installation.

To obtain warranty service support, contact your local dealer or contractor from whom you obtained the product or contact EWS, Inc., Customer Service, via phone, fax, or email.

**ALL FILTRATION PRODUCT PROUDLY MADE & ASSEMBLED IN THE USA**



**[www.ewswater.com](http://www.ewswater.com) O: 702.256.8182; M-F 8:30am-4:30pm PST E: [customerservice@ewswater.com](mailto:customerservice@ewswater.com)**

The EWS, Inc./Environmental Water System Product available through:



Authorized Kitchen & Bath Showrooms, Appliance Showrooms, Building & Plumbing Wholesale Supply Locations and their building, plumbing, HVAC and service contractors, and Authorized Online Distributors.



Contact Information:

## **EWS, INC.** **Environmental Water Systems**

**ewswater.com**

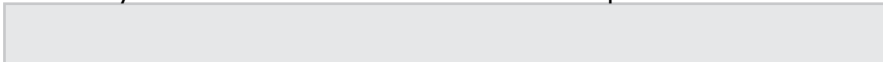
**O:** 702.256.8182 (M-F 8:30am-4:30pm PST)

**E:** customerservice@ewswater.com

**F:** 702.256.3744

### **Got a Question..?**

Seriously.... Give us a call. We're here to help.



**ALL FILTRATION PRODUCT PROUDLY MADE & ASSEMBLED IN THE USA**



**EWS is a Proud Contributor and Sponsor of Organizations Dedicated to Improving  
Health, Well-Being and the Environment**

- Heart • Lung & Respiratory • Allergy & Asthma • Dermatology & Skin • Digestive: Crohn's & Colitis •  
• Oceans • Inland Water Ways • Wetlands • Forestry • Soil • Air •

